

# Baton Security Products, Inc

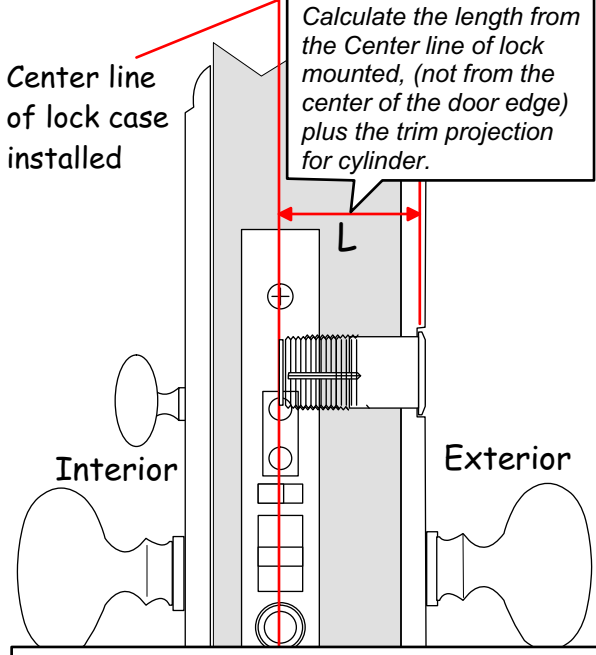
11521 Salinas Avenue,  
Garden Grove, California 92843, USA  
Tel:(714) 590 6969 Fax:(714) 590 6960  
Email address : Sales@batonlockusa.com



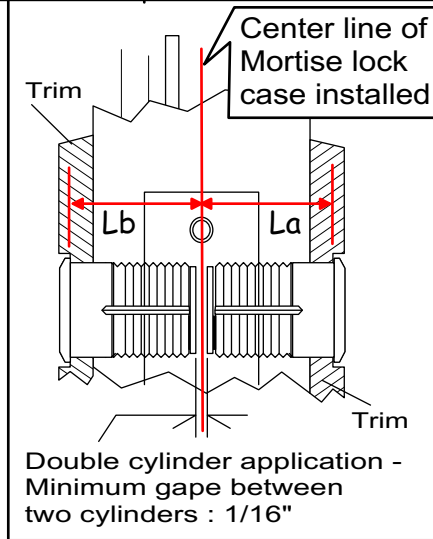
**Form QF-A11**

<input type="checkbox"/> Quotation	Ref#
<input type="checkbox"/> Order	PO#

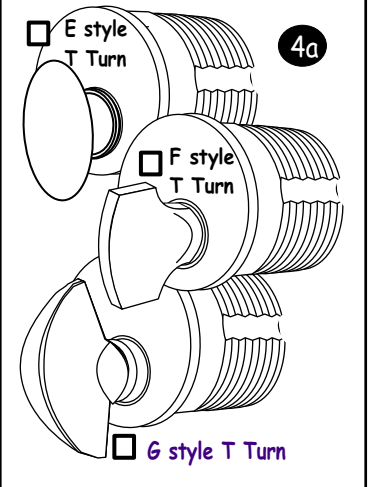
## Standard & Custom Mortise Cylinders



Calculate the length from the Center line of lock mounted, (not from the center of the door edge) plus the trim projection for cylinder.

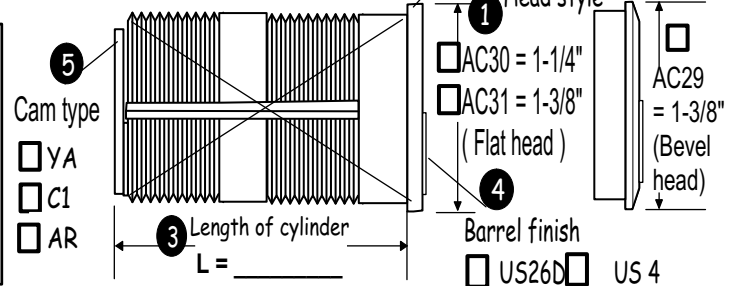


(For Thumb Turn Cylinder only)



**Custom made products** are constructed with the specifications requested. Baton warrants that the product will be functioning according to all the specifications and operating parameters of our original product line. No guarantee exists on product functions within specifications of others' make. **50% deposit required for custom made items, No-return and No-refund.**

### Custom extended mortise cylinder



Item	1 Cyl Head style		2 Cap Finish	3 Length (L)	4a Cyl function (pick one)			5 Cam type	Quantity	Unit price net each
	<input type="checkbox"/> AC29	<input type="checkbox"/> AC31			<input type="checkbox"/> Key cyl	<input type="checkbox"/> T turn cyl (T turn type)	4 Barrel Finish / pin			
1	<input type="checkbox"/> AC29	<input type="checkbox"/> AC31			<input type="checkbox"/> US26D	<input type="checkbox"/> 5pin	<input type="checkbox"/> E <input type="checkbox"/> G	<input type="checkbox"/> YA <input type="checkbox"/> C1		
	<input type="checkbox"/> AC30	<input type="checkbox"/>			<input type="checkbox"/> US 4	<input type="checkbox"/> 6pin	<input type="checkbox"/> F <input type="checkbox"/>	<input type="checkbox"/> YB <input type="checkbox"/> AR		
2	<input type="checkbox"/> AC29	<input type="checkbox"/> AC31			<input type="checkbox"/> US26D	<input type="checkbox"/> 5pin	<input type="checkbox"/> E <input type="checkbox"/> G	<input type="checkbox"/> YA <input type="checkbox"/> C1		
	<input type="checkbox"/> AC30	<input type="checkbox"/>			<input type="checkbox"/> US 4	<input type="checkbox"/> 6pin	<input type="checkbox"/> F <input type="checkbox"/>	<input type="checkbox"/> YB <input type="checkbox"/> AR		
3	<input type="checkbox"/> AC29	<input type="checkbox"/> AC31			<input type="checkbox"/> US26D	<input type="checkbox"/> 5pin	<input type="checkbox"/> E <input type="checkbox"/> G	<input type="checkbox"/> YA <input type="checkbox"/> C1		
	<input type="checkbox"/> AC30	<input type="checkbox"/>			<input type="checkbox"/> US 4	<input type="checkbox"/> 6pin	<input type="checkbox"/> F <input type="checkbox"/>	<input type="checkbox"/> YB <input type="checkbox"/> AR		
4	<input type="checkbox"/> AC29	<input type="checkbox"/> AC31			<input type="checkbox"/> US26D	<input type="checkbox"/> 5pin	<input type="checkbox"/> E <input type="checkbox"/> G	<input type="checkbox"/> YA <input type="checkbox"/> C1		
	<input type="checkbox"/> AC30	<input type="checkbox"/>			<input type="checkbox"/> US 4	<input type="checkbox"/> 6pin	<input type="checkbox"/> F <input type="checkbox"/>	<input type="checkbox"/> YB <input type="checkbox"/> AR		

Contact: \_\_\_\_\_

Co: \_\_\_\_\_

Add \_\_\_\_\_

Tel: \_\_\_\_\_ - \_\_\_\_\_

email

Lead time : about \_\_\_\_\_ working days